

Pulsation Damper Jacketed for High and Low Temperature with Metal Diaphragm

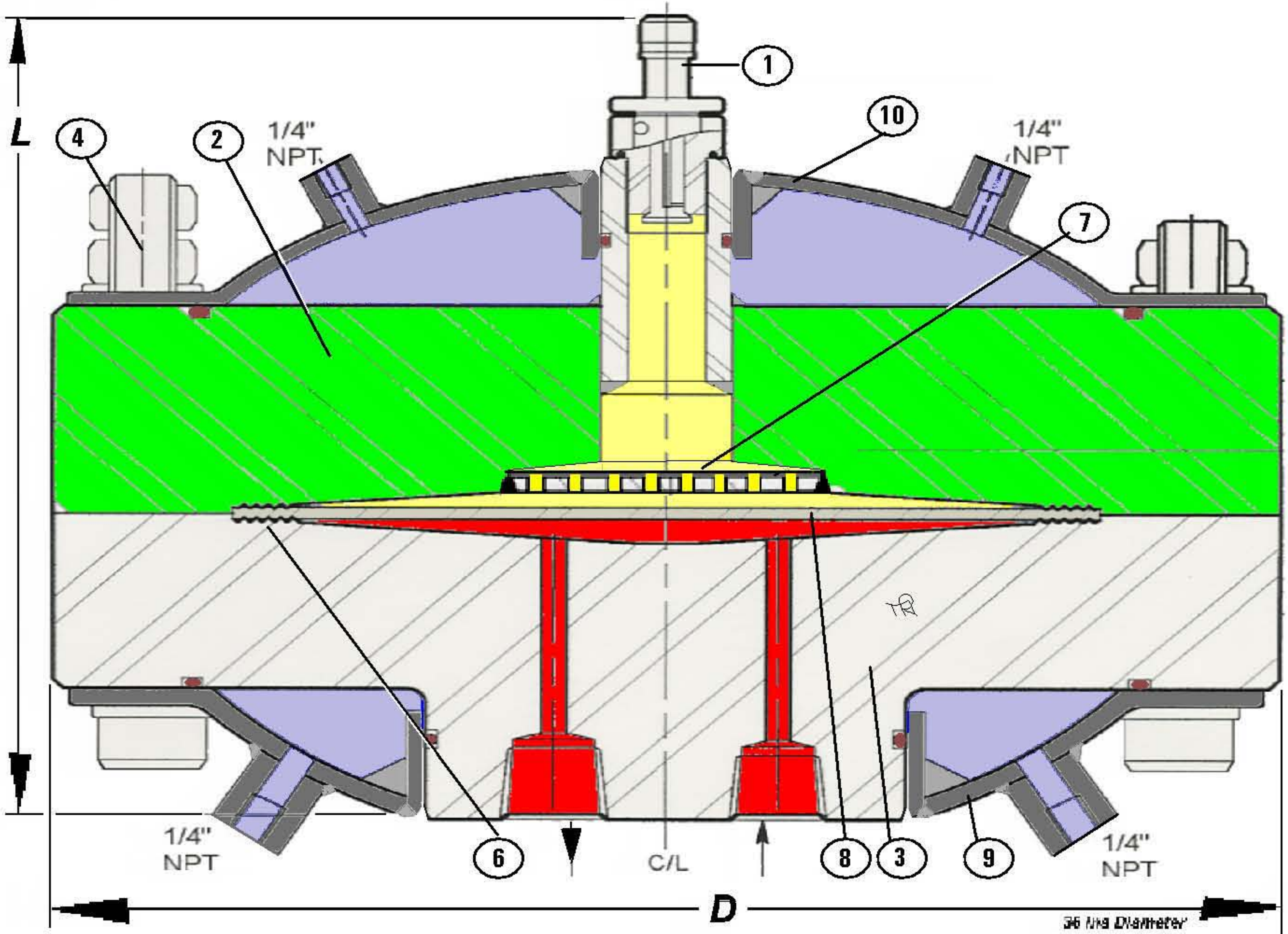
For Use with "Remote Pump Heads" of hydraulically driven diaphragm Metering Pumps

Flexorber with Metal Membrane



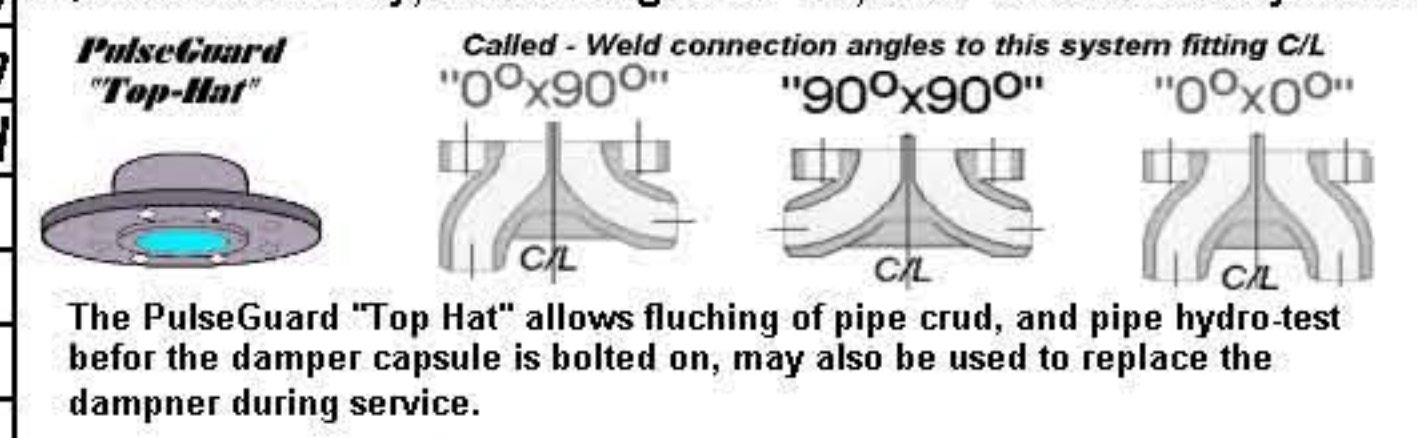
Jkt/Flo/MD With Cooling or Heating Jacket

BOLTINGS * Extra Nuts 4 Places for mounting
 12 Places, Diameter of thread Length under head
 Root Diameter T.P.I. Length of Full Thread
 On PCD UNS 1.6582 ("EN 24T") BS 970 Pt1 817-M40T



Item	Pt #	DESCRIPTION	Mtrl.	Ht./Cast/PO #	CUSTOMER
1	9019c	Type N2 Valve, Metal to Metal Seat	304ss		CUSTOMER Ref.
2		Gas Cap Carbon Steel PVQ Plate	SA516		3 Rd. Party QA \$s Extra
3		Liquid Chamber Stainless PVQ Plant	SA240		DOCUMENTATION LEVEL \$s Extra
4		Boltings, Reduced to thread root Diameter	See Box		WELDING, W Nbr. 100% GTAW
5					SHOP / JOB Nbr.
6		Sealing, Concentric grooves and "teeth" metal to metal.			WEIGHT Est.
7		Anti Extrusion Diaphragm Suport			ISSUED By TR Date: / /
8		Metal Diaphragm	347ss		CHECKED By Date: / /
9		Liquid Side Jacket, Sheet. Hydro-Forged	SA240		FILE NAME
10		Cushion Gas Side Jacket, Sheet. " "	SA240		SCALE NOT TO SCALE
11					REVISION Nbr. Date: / /
12					DIMENSIONS: mm, Unless Otherwise Stated
13					
14					
15					

PulseGuard "Y-T" Block Connection Options
 Provides an "O" ring and bolts interface between a pipe system and the damper capsule, ensures flo-thru pressure wave interception, in place flushability, saves flange and "T", 37.5° butt weld to system.



The PulseGuard "Top Hat" allows flushing of pipe crud, and pipe hydro-test before the damper capsule is bolted on, may also be used to replace the damper during service.

PulseGuard <http://www.PulseGuard.com>
<http://www.PulseGuard.co.uk>
PulseGuard für Deutschland www.pulsationdaempfer.com
PulseGuard, de langue Francaise amortisseurs-de-pulsations.com
PulseGuard, en Espanol / sud Amerique amortiguador-de-pulsaciones.com
PulseGuard, dlya Russkogovoryaschih pulsations-dampfer.com

PulseGuard is the USA registered trade mark of PulseGuard Inc.
 PulseGuard is the UK registered trade mark of PulseGuard Ltd.
 UK --44(0)161-480-9625 USA ---1910-270-2737

PULSEGUARD
 For Americas & Pacific 01(1)910-270-2737
 For Europe & East --44(0)162-480-9625

VIEW NUMBER

Associate licensees:

- Shock Absorbers
- Flow Fuses
- Product Design
- Accumulators
- Analysis